



TIANSHUI HUATIAN SENSOR

CYB3500 Series Armored Level Transmitter



Tianshui Huatian Sensor Co., Ltd
天水华天传感器有限公司



CE

CYB3500

1 Introduction

The CYB3500 serious armored level transmitter is a great quality product. High stable piezoresistive pressure sensor + high accurate circuit board + full sealed stainless steel housing, together they provide a product that you can trust.

2 Application

This type of products is used at water plants, reservoirs, oil refineries, chemical works, glass works, sewage plants, etc...

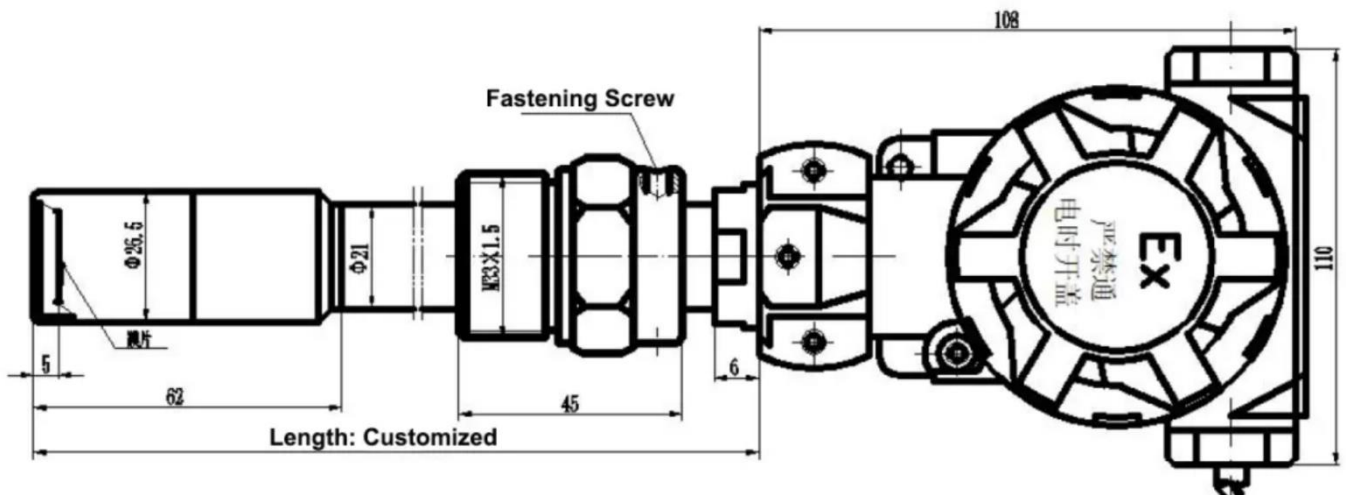
3 Features

- ◆ Armored structure, easy to fix and install
- ◆ Liquid contact is all stainless steel, clean and sanitary
- ◆ Intrinsically safe and explosion-proof
- ◆ Various installation methods are available

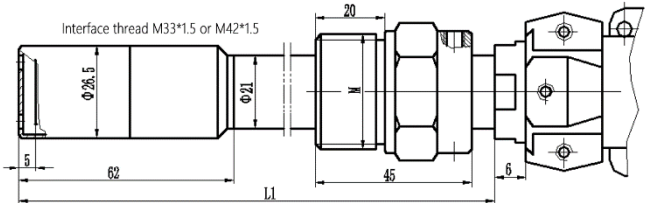
4 Technical Indicators

Range	0m~0.5m...10m		
Pressure form	G (gauge pressure)		
Output signal	4~20mA (Hart protocol could be added)		
	RS485		
	0~10V(range could be customized)		
Accuracy	0.1 (customized)	0.25 (typ.)	0.5 (max)
Long-term stability (%FS/year)	±0.1(typ.)		±0.3(max)
Zero Temperature Drift (%FS/°C)	±0.02		±0.03
Sensitivity Temperature Drift (%FS/°C)	±0.02		±0.03
Compensation Temperature (°C)	0~50		-10~70
Working Voltage (VDC)	+12~+30		
Medium Temperature (°C)	-40~+80		
Load resistance (Ω)	Current type: $\leq(U-12)/0.02(\Omega)$		
Protection level	IP68		

5 Structure Size Drawing



6 Model & Structure (unit: mm)

Model	Feature	Outline Drawing
<p>CYB3520</p>	<ol style="list-style-type: none"> Adjustable insertion depth Sensitive pressure film forward, easy to clean 304, 316L material can be customized 	
<p>CYB3530</p>	<ol style="list-style-type: none"> Bellows flexible armored structure. The liquid receiving part is fully welded, safe and reliable. It can replace CYB3100 series products and also use high permeability liquid level measurement. 	