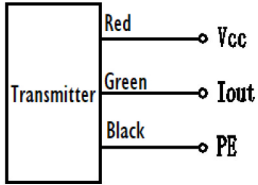
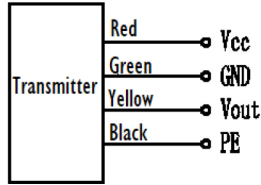


### 6.3 Direct outgoing cable

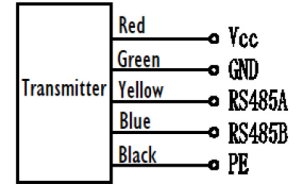
Current type



Voltage type

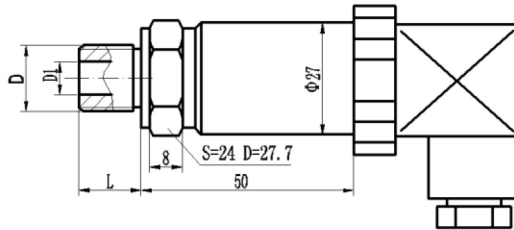
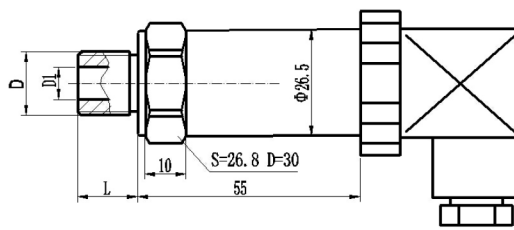
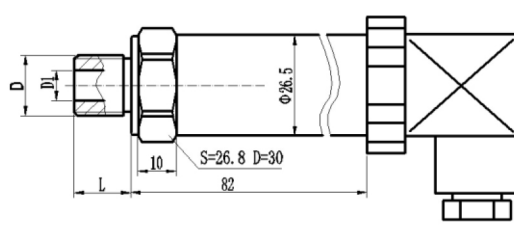
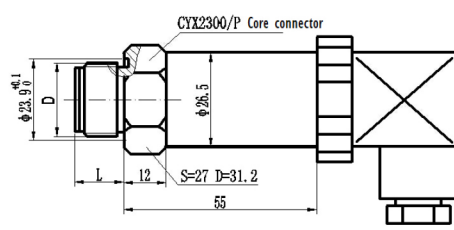


RS485 type

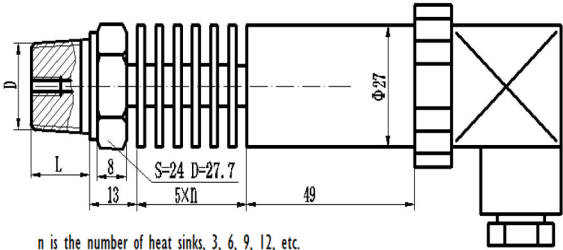
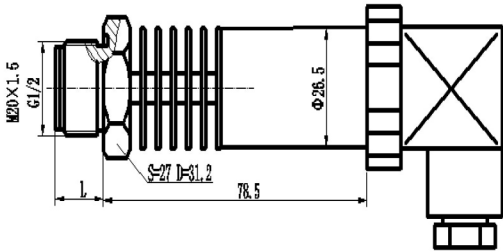
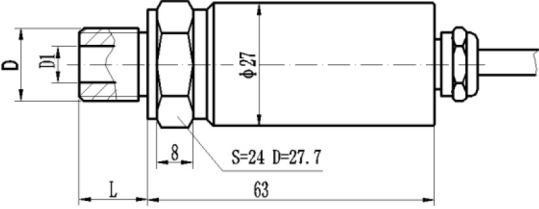
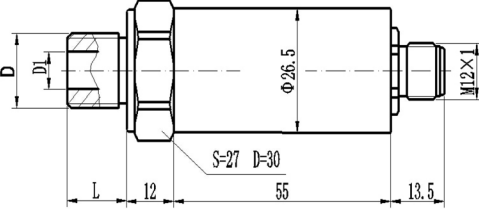
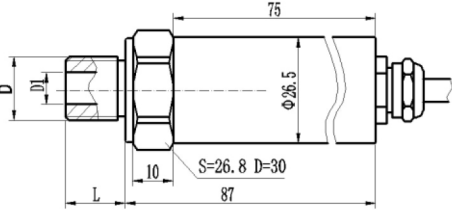


## 7 Order guide

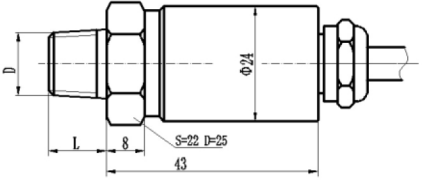
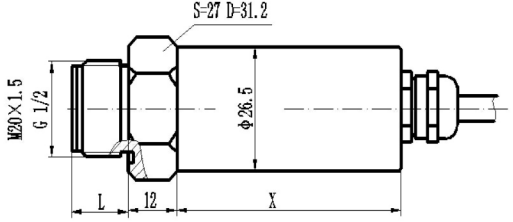
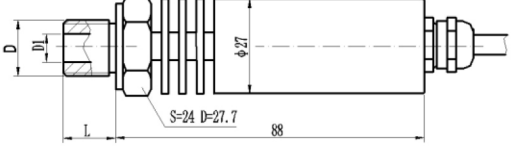
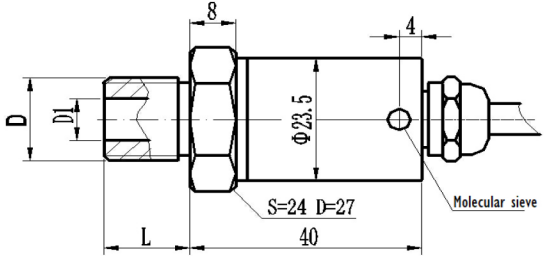
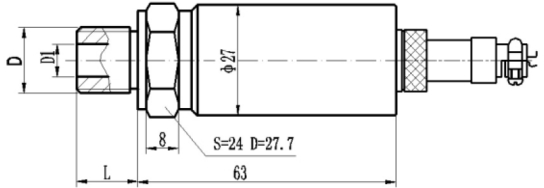
### 7.1 Model features and appearance

Horsman connector		
Model	Features	Pattern
CYB4211	<ol style="list-style-type: none"> <li>Standard integrated Hosman connector;</li> <li>Series recommended thread optional;</li> <li>Pressure interface material can be customized;</li> <li>Protection grade IP65.</li> </ol>	
CYB4212	<ol style="list-style-type: none"> <li>Housing combination Horsman connector;</li> <li>Series recommended thread optional;</li> <li>Pressure interface material can be customized;</li> <li>Protection grade IP65.</li> </ol>	
CYB4213	<ol style="list-style-type: none"> <li>RS485 output</li> <li>Series recommended thread optional;</li> <li>Pressure interface material can be customized;</li> <li>Protection grade IP65.</li> </ol>	
CYB4216/P	<ol style="list-style-type: none"> <li>Hosman connector</li> <li>Flat film structure, easy to clean;</li> <li>Pressure port M20×1.5、G1/2is optional;</li> <li>Protection grade IP66.</li> </ol>	

## CYB4200 SERIES PRESSURE TRANSMITTER

<p>CYB4220</p>	<ol style="list-style-type: none"> <li>1、 High temperature heat sink, Hosman connector;</li> <li>2、 Medium temperature range -40~150°C;</li> <li>3、 Number of heat sinks 3、 6、 9 is optional ;</li> <li>4、 Pressure interface material can be customized;</li> <li>5、 Protection grade IP65.</li> </ol>	 <p>n is the number of heat sinks, 3, 6, 9, 12, etc.</p>
<p>CYB4224/P</p>	<ol style="list-style-type: none"> <li>1、 Flat film high temperature type, Hosman connector;</li> <li>2、 Medium temperature range -40~150°C;</li> <li>3、 Pressure port M20×1.5、 G1/2 is optional; ;</li> <li>4、 Pressure interface material can be customized;</li> <li>5、 Protection grade IP65.</li> </ol>	
<p><b>Waterproof connector</b></p>		
<p>CYB4221</p>	<ol style="list-style-type: none"> <li>1、 Standard integrated Waterproof connector;</li> <li>2、 Series recommended thread optional;</li> <li>3、 Pressure interface material can be customized;</li> <li>4、 Protection grade IP65.</li> </ol>	
<p>CYB4250</p>	<ol style="list-style-type: none"> <li>1、 Housing combination Waterproof connector;</li> <li>2、 Series recommended thread optional;</li> <li>3、 Pressure interface material can be customized;</li> <li>4、 Protection grade IP65.</li> </ol>	
<p>CYB4261</p>	<ol style="list-style-type: none"> <li>1、 RS485 output</li> <li>2、 Series recommended thread optional;</li> <li>3、 Pressure interface material can be customized;</li> <li>4、 Protection grade IP65.</li> </ol>	

## CYB4200 SERIES PRESSURE TRANSMITTER

<p>CYB4252</p>	<ol style="list-style-type: none"> <li>1、Delicate type, Outer diameter 24mm;</li> <li>2、Pressure interface material can be customized;</li> <li>3、Protection grade IP66.</li> </ol>	
<p>CYB4254/P</p>	<ol style="list-style-type: none"> <li>1、Waterproof metal joint;</li> <li>2、Flat film structure, easy to clean;</li> <li>3、Pressure port M20×1.5, G1/2 is optional;</li> <li>4、Protection grade IP66.</li> <li>5、RS485 output X=75, Other output X=55.</li> </ol>	
<p>CYB4257</p>	<ol style="list-style-type: none"> <li>1、Waterproof connector;</li> <li>2、Medium temperature range -40~150°C;</li> <li>3、Number of heat sinks 3, 6, 9 is optional;</li> <li>4、Pressure interface material can be customized;</li> <li>5、Protection grade IP65.</li> </ol>	
<p>CYB4270</p>	<ol style="list-style-type: none"> <li>1、Welded structure, Waterproof connector;</li> <li>2、Series recommended thread optional;</li> <li>3、Pressure interface material 304, 316L can be customized;</li> <li>4、Protection grade IP66.</li> </ol>	
<p><b>Aviation connector</b></p>		
<p>CYB4280</p>	<ol style="list-style-type: none"> <li>1、Standard integrated aviation connector;</li> <li>2、Full range, series recommended thread optional;</li> <li>3、Pressure interface material can be customized;</li> <li>4、Protection grade IP65.</li> </ol>	
<p>CYB4282</p>	<ol style="list-style-type: none"> <li>1、Standard integrated aviation connector;</li> <li>2、Series recommended thread optional;</li> <li>4、Pressure interface material can be customized;</li> <li>5、Protection grade IP65.</li> </ol>	